

LLAS7 Photo Controls

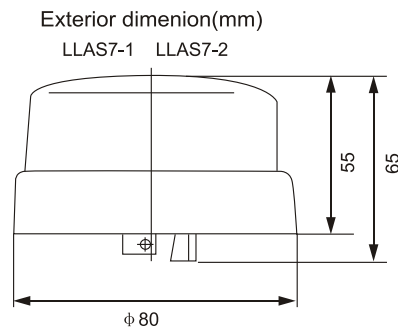
LLAS7-1, LLAS7-2

Thermal photo control

- ⊙ Rated voltage: 120V/220V/~/ (applicable 110V, 127V, 230V, 240V)
- ⊙ Rated frequency: 50/60Hz
- ⊙ Rated current: 10A 15A
- ⊙ Load: 1000W, 2000W TUNGSTEN
- ⊙ Light level: on/off; 10-16LUX/50-80LUX
- ⊙ Acting time: 30" ~ 180"
- ⊙ Temperature range: -40°C ~ +70°C
- ⊙ Electrical life: >6500CYCLES

Electromagnetic Photo Control

- ⊙ Rated voltage: 120/240V~ (applicable 105-240V~)
- ⊙ Rated frequency: 50/60Hz
- ⊙ Rated current: 10A 15A
- ⊙ Load: 1000W, 2000W TUNGSTEN
- ⊙ Light level: ON/OFF; 10-16LUX/20-30LUX or at customers'option
- ⊙ Acting time: <15"
- ⊙ Temperature range: -40°C ~ +70°C
- ⊙ Electrical life: >6500CYCLES



LLAS7-1 10A



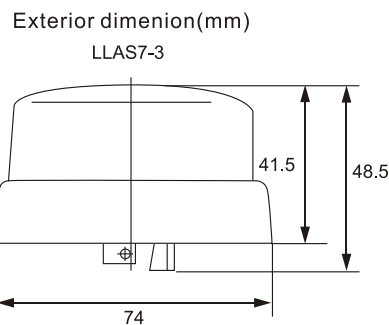
LLAS7-2 10A

- ⊙ Electronic Photo Control
- ⊙ Rated voltage: 120/240V~ (applicable 105-305V~)
- ⊙ Rated frequency: 50/60Hz
- ⊙ Rated current: 10A 15A
- ⊙ Load: Load: 1000-2000W TUNGSTEN
- ⊙ Light level: ON/OFF; 10-16LUX/20-30LUX or at customers'option
- ⊙ Acting time: <15"
- ⊙ Temperature range: -40°C ~ +70°C
- ⊙ Electrical life: >6000CYCLES

LLAS7-3

Thermal photo control

- ⊙ Rated voltage: 120V/220V/~/ (applicable 110V, 127V, 230V, 240V)
- ⊙ Rated frequency: 50/60Hz
- ⊙ Rated current: 10A 15A
- ⊙ Load: 1000W, 2000W TUNGSTEN
- ⊙ Light level: on/off; 10-16LUX/50-80LUX
- ⊙ Acting time: 30" ~ 180"
- ⊙ Temperature range: -40°C ~ +70°C
- ⊙ Electrical life : >6500CYCLES



LLAS7-3 10A